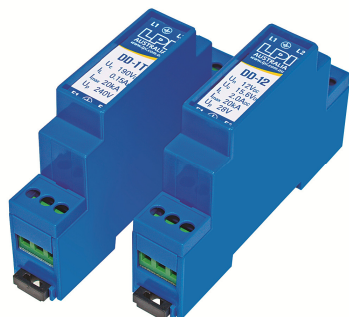


TECHNICAL DATA SHEET



LIGHTNING PROTECTION INTERNATIONAL PTY LTD - Comprehensive Lightning, Surge Protection & Earthing Solutions

LPI® Signal & Data Protectors - DD Range



Features

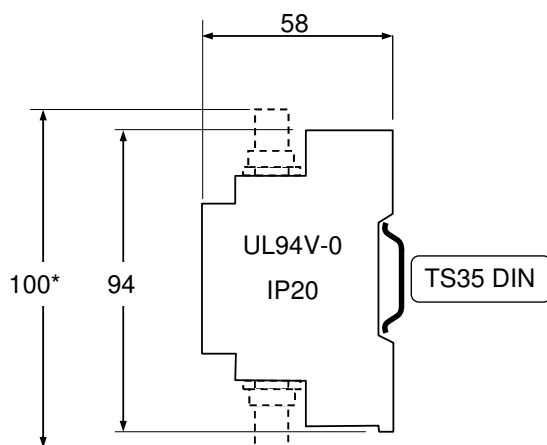
- High performance, low voltage surge protector
- Suitable for protection of data, signal and telecommunication pairs
- 3-Stage protection ensures lowest let-through voltage to protected equipment
- Protects loads of up to 2A
- High impulse discharge current rating - 20kA, 8/20µs
- Provides protection in both common and differential modes
- TS35 DIN rail mounting
- Suitable for fire alarm panels, RS232/485, process control signals, telephone lines and security networks

Technical Data

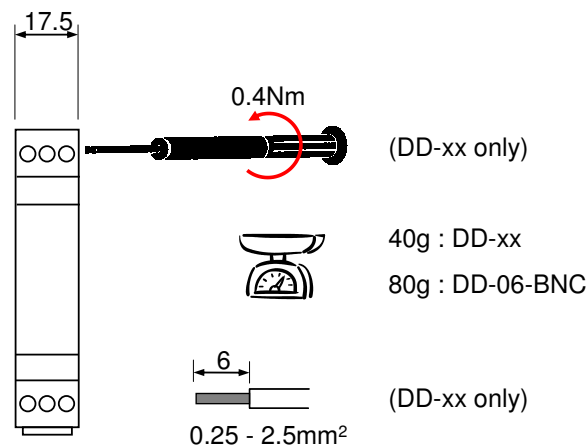
Electrical Specifications		* DD-06	* DD-06-BNC	* DD-12	* DD-24	* DD-48	* DD-1T
Nominal Operating Voltage	U_N	6V	6V	12V	24V	48V	Telephone
Max. Continuous Operating Voltage	U_C	6.6V _{DC} 4.7V _{RMS}	6.6V _{DC}	15.6V _{DC} 11.0V _{RMS}	29V _{DC} 20V _{RMS}	62V _{DC} 44V _{RMS}	190V _{DC}
Surge Current rating (8/20µs)	I_{MAX}	20kA					
Operating Current (DC or RMS)	I_L	2A					150mA
Voltage Protection Level @ 3kA (8/20µs)	U_P	16V	16V	28V	60V	120V	240V
Loop Resistance		< 0.1Ω					6.6Ω
Bandwidth		5MHz					1MHz
Protection Modes		Line-Line & Line-Ground					
Operating Temperature		-40°C to 60°C					

Customised options available on request

* PRODUCT ORDER CODE: Please add '-BOX' to the product code for supply in boxes of 10 units per box. Example: DD-xx-BOX or DD-xx-BNC-BOX where xx denotes the voltage.



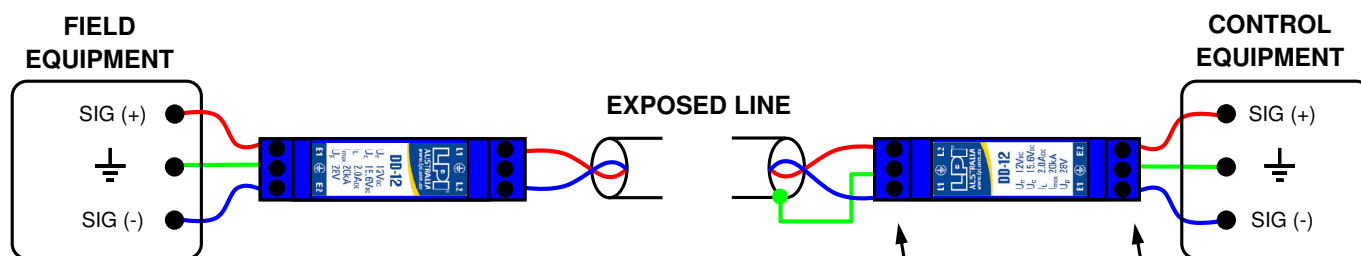
* Applies to DD-06-BNC model only



Application

	DD-06	DD-06-BNC	DD-12	DD-24	DD-48	DD-1T
RS-232				✓		
RS-422	✓					
RS-485			✓			
Fire Alarm Panels				✓		
Security Systems			✓	✓		
Process Control loops				✓		
C-BUS					✓	
Analogue telephone line						✓
Digital telephone line						✓
CCTV		✓				

Installation



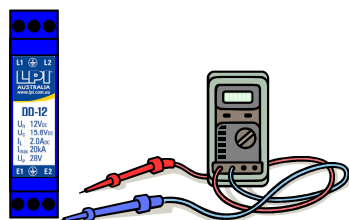
For DD-xx:

- L1 and L2 to be connected to the exposed or "line" side
- E1 and E2 to be connected to the protected or "equipment" side
- GND connection to be bonded to local earth

For DD-06-BNC:

- L1 and E1 are connected to the coaxial cable core via BNC connector
- L2 and E2 are connected to the coaxial cable screen via BNC connector
- GND connection to be bonded to local earth

Testing



A PASS result is obtained if measurements meet the specifications listed in the adjoining tables.

	DD-06, -12, -24, -48	DD-1T	DD-06-BNC
L1-E1	$\leq 0.5\Omega$	$\leq 10\Omega$	CORE (L) - CORE (E) $\leq 0.5\Omega$
L2-E2	$\leq 0.5\Omega$	$\leq 10\Omega$	SCREEN (L) - SCREEN (E) $\leq 0.5\Omega$
GND-GND	$\leq 0.5\Omega$	$\leq 0.5\Omega$	GND-GND $\leq 0.5\Omega$
E1-E2	$> 1M\Omega$	$> 1M\Omega$	CORE (E) - SCREEN (E) $> 1M\Omega$
E1-GND	$> 1M\Omega$	$> 1M\Omega$	CORE (E) - GND $> 1M\Omega$
E2-GND	$> 1M\Omega$	$> 1M\Omega$	SCREEN (E) - GND $> 1M\Omega$



LIGHTNING PROTECTION INTERNATIONAL PTY LTD

PO Box 379 Kingston Tasmania, Australia 7051
49 Patriarch Drive, Huntingfield, Tasmania, Australia 7055

- Phone: Australia 03 6281 2477
International +61 3 6281 2480
- Email: info@lpi.com.au
- Web: www.lpi.com.au