

Technical data sheet

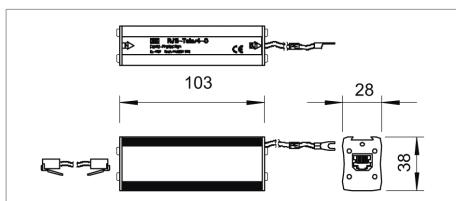
RJ 11/RJ 45



Data cable protection device for analogue telecommunications systems

- In aluminium housing
- With 2-stage protection circuit
- Simple mounting
- Incl. 150 mm connection cable with RJ 11 and/or RJ 45 connectors
- Optimised bandwidth for TC systems

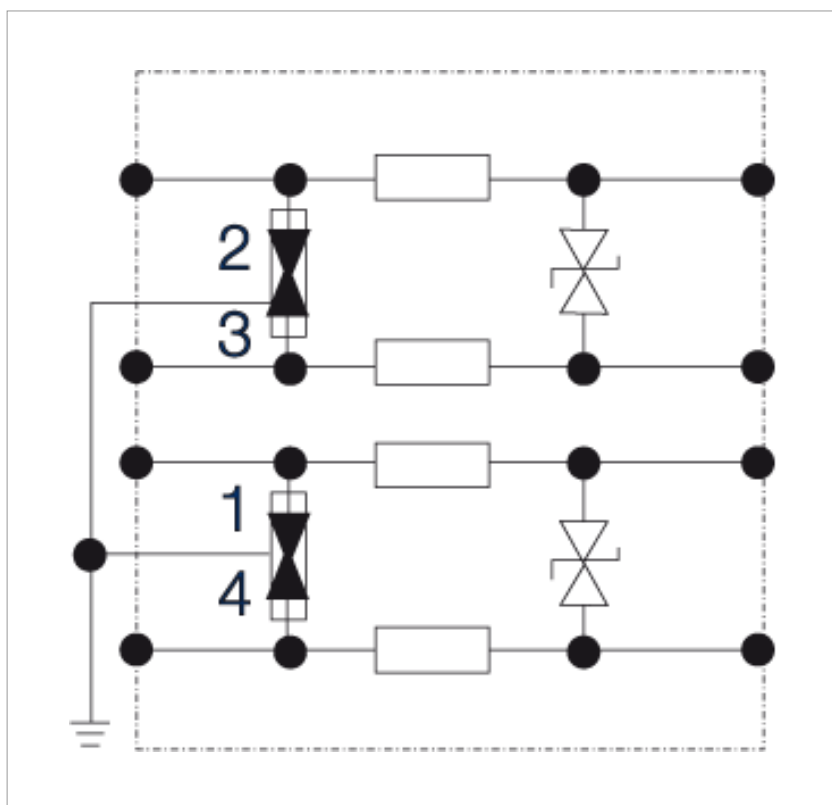
Application: for analogue telecommunication systems.



Type	Version	Connection system	Pack. pcs	Weight kg/100 pcs.	Art.-No.
RJ11-TELE 4-C	Combi protection, 4 wires		1	14.000	5081920
RJ11-TELE 4-F	Fine protection, 4 wires		1	14.000	5081939
RJ45-TELE 4-C	Combi protection, 4 wires		1	14.000	5081963
RJ45-TELE 4-F	Fine protection, 4 wires		1	14.000	5081971

/pc.

Connection-/Circuit diagram



Article number			5081920	5081939	5081963	5081971
U max DC	U_c DC	V	170	170	170	170
Lightning protection Zone LPZ			0→3	1→3	0→3	1→3
Impulse discharge current (10/350)	I_{imp}	kA	1,5	-	1,5	-
Nominal discharge current (8/20)	I_n	kA	7.5	7,5 / 0,5	7.5	7,5 / 0,5
Transmission frequency		f	12 MHz	18 MHz	12 MHz	18 MHz
Insertion loss	a/dB	dB	3dB @ 12 MHz	3dB @ 18 MHz	3dB @ 12 MHz	3dB @ 18 MHz
Series resistance	R	ohm	8.2	2.2	8.2	2.2
Protection level (sym.) with In C2			≤300 V	≤300 V	≤300 V	≤300 V
Protection level (asym.) with In C2			≤500 V	≤500 V	≤500 V	≤500 V
Protection level (asym.) with 1 kV/μs C3			≤245 V	≤245 V	≤245 V	≤245 V
Protection rating			IP40	IP40	IP40	IP40

Legend



5-year warranty



Communautés Européennes, EC declaration of conformity according to EC directives



Transition from LPZ 0 to LPZ 3



Analogue telecommunication



Transition from LPZ 1 to LPZ 3